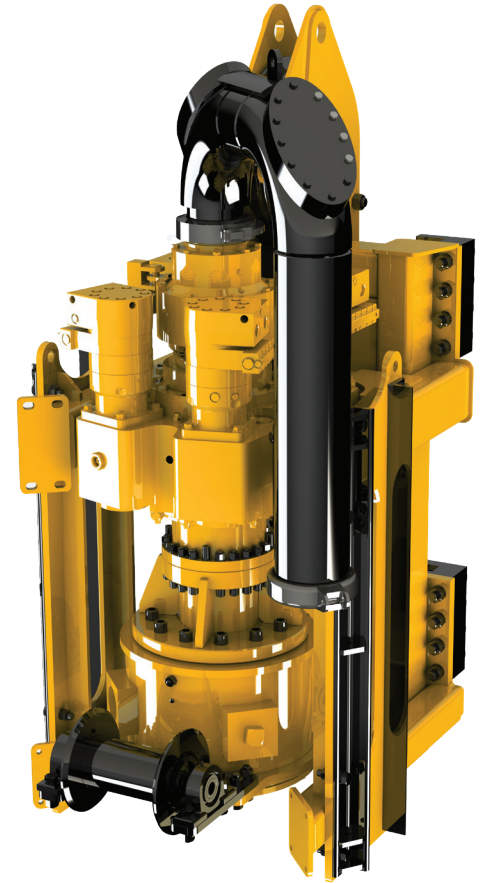


## Berminghammer Reverse Circulation Drill

### Features

- Designed for Reverse Circulation Rock Drilling up to 24" Diameter
- High Capacity Air and Discharge Swivels
- 35,000 ft-lbs Torque
- 40,000 lbs of crowd & pullout
- Integrated Lead Slide
- Pairs with L18 L23 BL32 BL37 leads
- Pairs with DS18 HX9.4 String



### ✚ Specs

Max Drill Torque	35,000	ft lbs	48	kNm
Max Drill Speed	31	rpm	31	rpm
Pullout	40,000	lbs	18.2	tonne
Crowd	40,000	lbs	18.2	tonne
Center Passage	5.3	in	135	mm
MAX Flow	90	gpm	340	l/min
MAX Pressure	4,061	psi	280	bar
Weight with Typical Slide	5,500	lbs	2,500	Kg



[bfssales@berminghammer.com](mailto:bfssales@berminghammer.com)